

2012/10

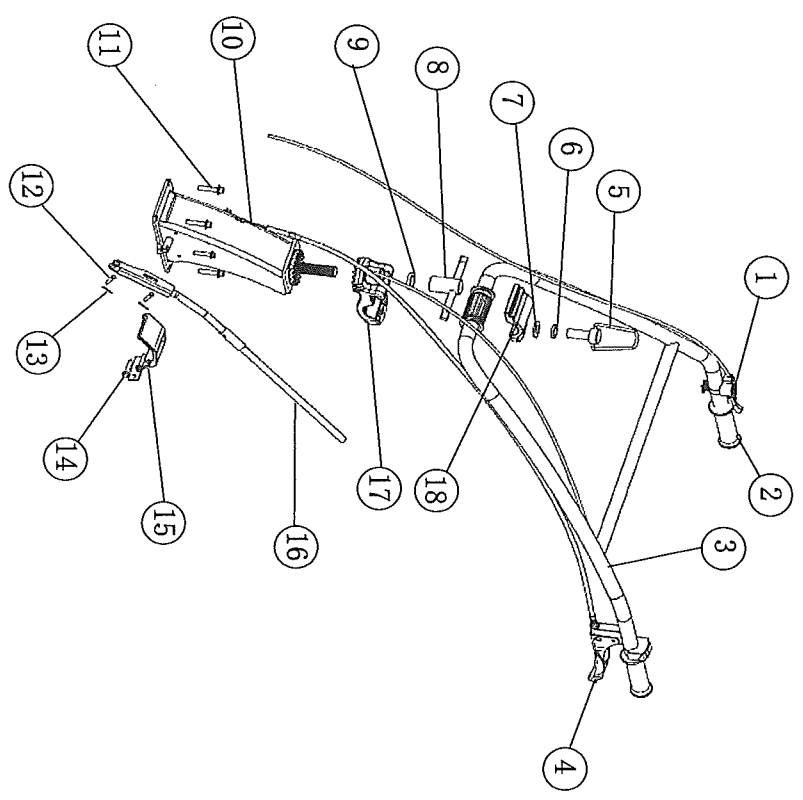
SENCI

De 2012/10

CHONGQING SENCI WUGU AGRICULTURAL MACHINERY CO.,LTD

SC1000 SPARE PARTS LIST

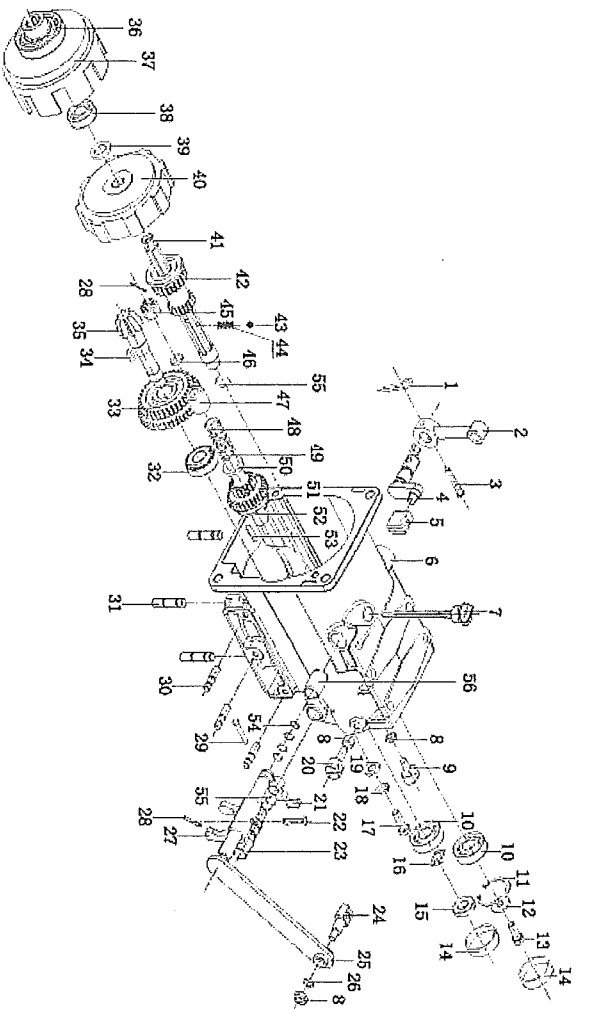
一、扶手部份 Handle Assy



Series No.	Part Code	Chinese Name	English Name	Unit	Quantity for One Unit	Order Quantity	Unit Price	Total Amount	Note
1	1000-1	油门开关组件	Governor switch assy	pcs	1				
2	1000-2	扶手胶套	GRIP	pcs	2				
3	1000-3	扶手架	Handle Bar	pcs	1				

4	1000-4	离合把手	Clutch Shaft	pcs	1				
5	1000-5	调节锁紧件	Adjustment Locking Part (Up &Down)	pcs	1				
6	1000-6	弹垫	Spring Washer	pcs	1				
7	1000-7	平垫	Flat Washer	pcs	1				
8	1000-8	调节锁紧件	Adjustment Locking Part (Left &Right)	pcs	1				
9	1000-9	平垫	Flat Washer	pcs	1				
10	1000-10	扶手座	Handle Seat	pcs	1				
11	1000-11	螺栓	Bolts	pcs	4				
12	1000-12	销轴	Pin Roll	pcs	2				
13	1000-13	插销	Pin	pcs	2				
14	1000-14	销轴	Pin Roll	pcs	1				
15	1000-15	换挡杆罩	Gearshift Cover	pcs	1				
16	1000-16	换挡杆	Shift Lever	pcs	1				
17	1000-17	下压板	Pressing Plate(Down)	pcs	1				
18	1000-18	上压板	Pressing Plate(Up)	pcs	1				

二、变速箱部份 SHIFT GEAR PARTS

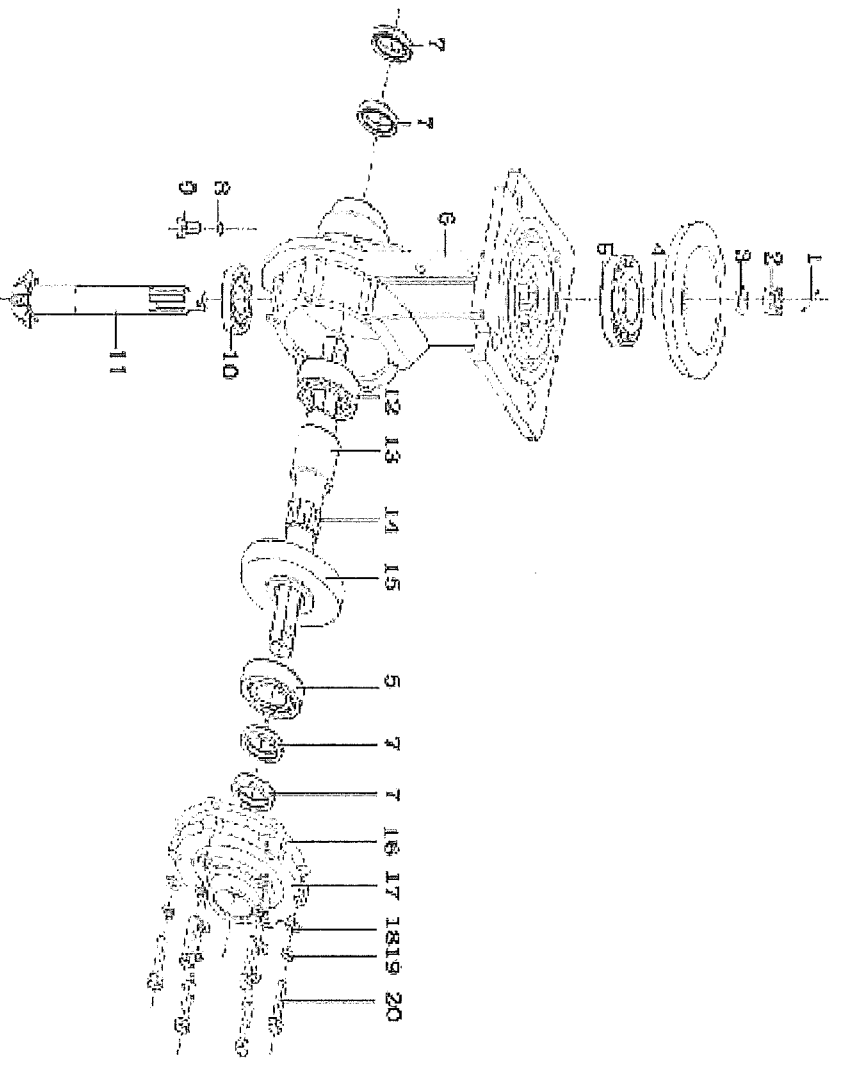


Series No.	Part Code	Chinese Name	English Name	Unit	Quantity for One Unit	Order Quantity	Unit Price	Total Amount	Note
1	1000-19	卡簧φ2	Clipφ2	pcs	1				
2	1000-20	换挡套	Sheath, Shift Rod	pcs	1				
3	1000-21	换挡销6×40	Pin6×40, Shift Rod	pcs	1				
4	1000-22	换挡轴	Shift Axes	pcs	1				
5	1000-23	换挡拨块	Shift fork	pcs	1				
6	1000-24	变速箱体	Shift Gear box	pcs	1				
7	1000-25	机油尺(带O型圈)	Oil stick	pcs	1				
8	1000-26	螺母M8	Nut M8	pcs	3				
9	1000-27	离合线座	Seat, clutch cable	pcs	1				
10	1000-28	轴承6203	Bearing6203	pcs	2				
11	1000-29	A型孔用挡圈	Retaining ring	pcs	1				
12	1000-30	平垫8	Washer 8	pcs	1				

13	1000-31	螺栓M8×20	Bolt M8×20	pcs	1				
14	1000-32	油塞	Oil plug	pcs	2				
15	1000-33	小圆螺母	Nut	pcs	1				
16	1000-34	止动垫圈 14	Gasket	pcs	1				
17	1000-35	螺栓M10×25	Bolt M10×25	pcs	1				
18	1000-36	弹垫10	Spring Washer10	pcs	1				
19	1000-37	平垫圈10	Washer10	pcs	1				
20	1000-38	倒挡线座	Seat,reverse gear cable	pcs	1				
21	1000-39	倒挡拨叉	Rever gear fork	pcs	1				
22	1000-40	离合拨叉销6×29	Pin6×29,clutch fork	pcs	1				
23	1000-41	倒挡拨叉轴	Axes,rever gear fork	pcs	1				
24	1000-42	离合拉索活动线座	Seat,cluth cable	pcs	1				
25	1000-43	离合拨叉轴	Axes,cluth fork	pcs	1				
26	1000-44	弹垫8	Spring Washer8	pcs	1				
27	1000-45	离合拨叉	Cluth fork	pcs	1				
28	1000-46	开口销1.6×20	Splittpin 1.6×20	pcs	2				
29	1000-47	螺栓M5×30	Bolt M5×30	pcs	1				
30	1000-48	双头螺栓M8×25	Stud M8×25	pcs	6				
31	1000-49	双头螺栓M10×36	Stud M10×36	pcs	4				
32	1000-50	圆锥滚子轴承30203	Taper ball bearing 30203	pcs	1				
33	1000-51	副轴双联齿轮	Double gear,countershaft	pcs	1				
34	1000-52	平键A6×6×20	KeyA6×6×20	pcs	1				
35	1000-53	副轴	Countershaft	pcs	1				
36	1000-54	轴承6007	Bearing6007	pcs	1				
37	1000-55	离合器外罩	Cover,clutch	pcs	1				
38	1000-56	轴承6204	Bearing6204	pcs	1				
39	1000-57	离合器垫片	Clutch washer	pcs	1				
40	1000-58	离合器芯总成	Core comp, clutch	pcs	1				
41	1000-59	主轴	Principal axes	pcs	1				
42	1000-60	主动齿轮	Initative gear	pcs	1				
43	1000-61	钢球5φ6.35	Steel ball 5φ6.35	pcs	4				

44	1000-62	换挡弹簧	Spring principal axes	pcs	2					
45	1000-63	六角开槽螺母M12	Nut M12	pcs	1					
46	1000-64	弹垫12	Spring Washer12	pcs	1					
47	1000-65	倒挡限位套	Restrict cover,reverse gear	pcs	1					
48	1000-66	倒挡弹簧	Spring seat,reverse gear	pcs	1					
49	1000-67	倒挡轴	Axes,reverse gear	pcs	1					
50	1000-68	倒挡弹簧座	Spring seat,reverse gear	pcs	1					
51	1000-69	倒挡双联齿	Double gear,reverse gear	pcs	1					
52	1000-70	倒挡推盘	Pushing plate,reverse gear	pcs	1					
53	1000-71	圆柱销A5×10	Pin A5×10	pcs	1					
54	1000-72	O型密封圈11.2×2.65	O-ring11.2×2.65	pcs	2					
55	1000-73	O型密封圈18×1.8	O-ring18×1.8	pcs	1					
56	1000-74	离合拨叉衬套20×16×29	Sheath 20×16×29	pcs	4					

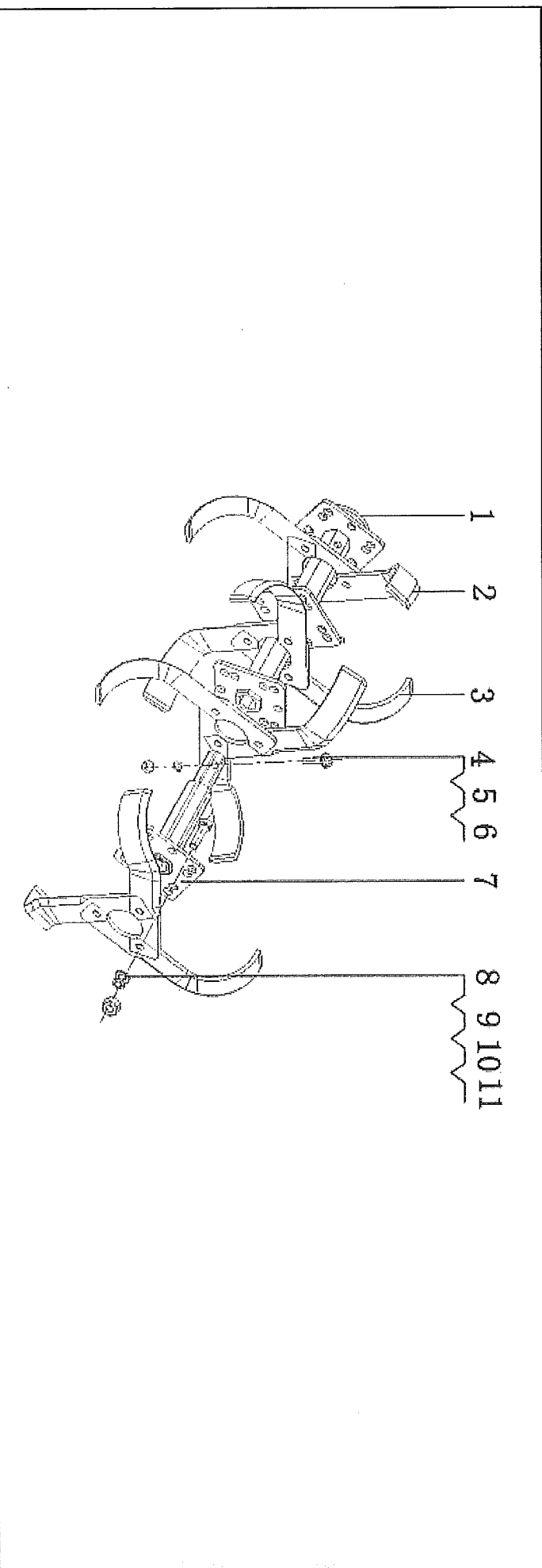
三、行走箱部份 TRANSMISSION CASE PARTS



Series No.	Part Code	Chinese Name	English Name	Unit	Quantity for One Unit	Order Quantity	Unit Price	Total Amount	Note
1	1000-75	开口销2.5×22	Splitpin 2.5×22	pcs	1				
2	1000-76	六角开槽螺母M12	Nut M12	pcs	1				
3	1000-77	弹垫12	Spring Washer 12	pcs	1				
4	1000-78	从动伞齿轮	Driven umbrella gear	pcs	1				
5	1000-79	圆锥滚子轴承30206	Taper ball bearing 30206	pcs	2				
6	1000-80	行走箱	Walking case	pcs	1				
7	1000-81	唇形油封30×42×7	Oil Seal 30×42×7	pcs	1				

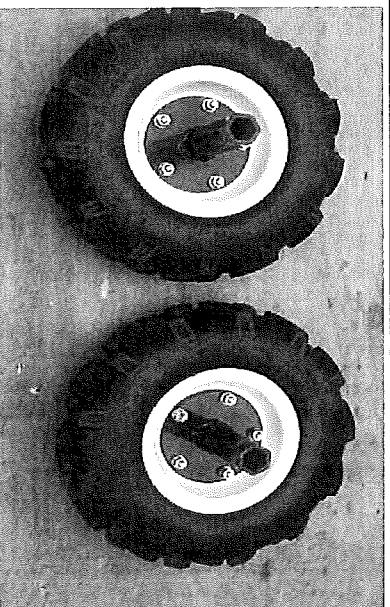
8	1000-82	O型密封圈10×2.65	O-ring10×2.65	pcs	1				
9	1000-83	螺栓M12×1.25×10	BoltM12×1.25×10	pcs	1				
10	1000-84	圆锥滚子轴承30204	Taper ball bearing30204	pcs	1				
11	1000-85	伞齿轮轴	Umbrella gear axes	pcs	1				
12	1000-86	轴承6206	Bearing 6206	pcs	1				
13	1000-87	输出轴隔套	Cover,output axes	pcs	1				
14	1000-88	六方输出轴	Flange output axes	pcs	1				
15	1000-89	行走伞齿轮	Walking umbrella gear	pcs	1				
16	1000-90	端盖纸垫 8.0.2/8.0.5	Side cover gasket8.0.2/8.0.5	pcs					
17	1000-91	端盖	Side cover	pcs	1				
18	1000-92	平垫圈8	Washer8	pcs	6				
19	1000-93	弹垫8	Spring Washer8	pcs	6				
20	1000-94	螺栓M8×30	Bolt M8×30	pcs	6				

四、刀具部份 BLADES ASSY



Series No.	Part Code	Chinese Name	English Name	Unit	Quantity for One Unit	Order Quantity	Unit Price	Total Amount	Note
1	1000-95	主刀筒	Main tube	pcs	2				
2	1000-96	旱地耕刀(右)	Blade (R)	pcs	12				
3	1000-97	旱地耕刀(左)	Blade (L)	pcs	12				
4	1000-98	螺栓M8×45	Bolt M8×35	pcs	1				
5	1000-99	弹垫8	Spring Washer8	pcs	1				
6	1000-100	平垫圈8	Washer8	pcs	1				
7	1000-101	副刀筒	Counter tube	pcs	2				
8	1000-102	螺栓M10×35	Bolt M10×35	pcs	24				
9	1000-103	弹垫10	Spring Washer10	pcs	24				
10	1000-104	平垫圈10	Washer10	pcs	24				
11	1000-105	螺母M10	Nut M10	pcs	24				

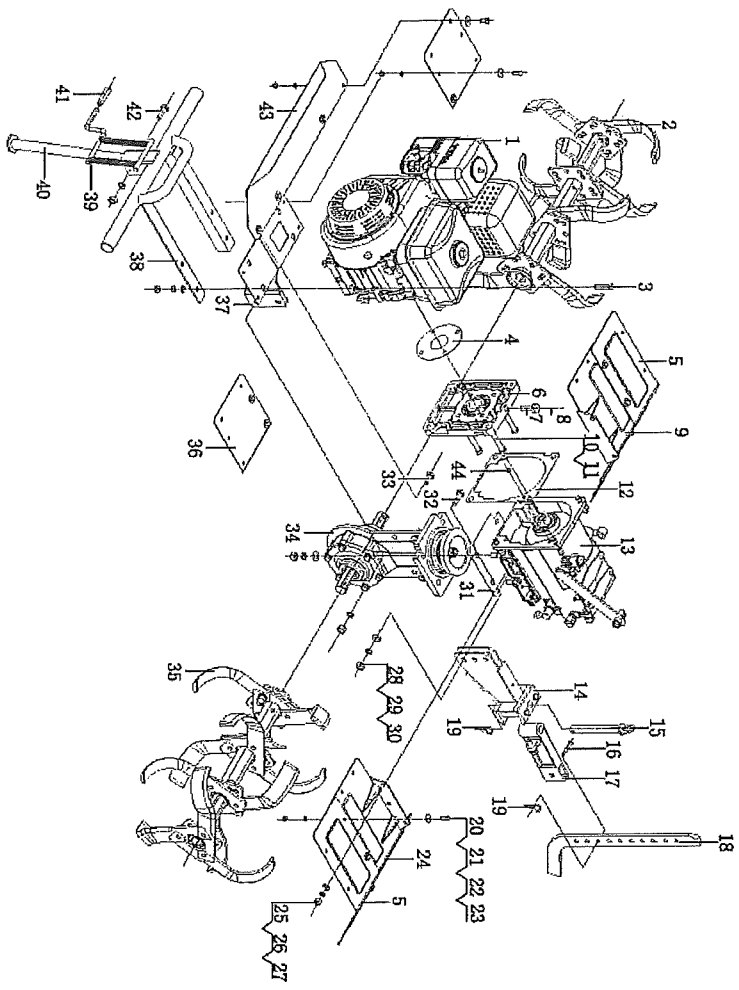
五、车轮部份 WHEEL ASSY (4.00-8)



Series No.	Part Code	Chinese Name	English Name	Unit	Quantity for One Unit	Order Quantity	Unit Price	Total Amount	Note
1	1000-106	4.00-8内轮毂	INSIDE WHEEL HUB	pcs	2				
2	1000-107	4.00-8外轮毂	OUTSIDE WHEEL HUB	pcs	2				
3	1000-108	车轴轴	WHEEL SHAFT	pcs	2				
4	1000-109	4.00-8外胎	OUTTER TUBE 4.00-8	pcs	2				
5	1000-110	4.00-8内胎	INNER TUBE 4.00-8	pcs	2				

6	1000-111	六角螺栓M10×20	HEXAGON FLANGE BOLTM10×20	pcs	8				
7	1000-112	六角螺栓M10×25	HEXAGON FLANGE BOLTM10×25	pcs	8				
8	1000-113	平垫 10	WASHER 10	pcs	16				
9	1000-114	弹垫 10	WASHER SPRING 10	pcs	16				
10	1000-115	六角螺母M10	HEXAGON FLANGE NUTSM10	pcs	16				

六、整机部份 TILLER ASSY



Series No.	Part Code	Chinese Name	English Name	Unit	Quantity for One Unit	Order Quantity	Unit Price	Total Amount	Note
1	1000-116	汽油机	Gasoline Engine	pcs	1				
2	1000-117	旱地弯刀总成(右)	Dry land blade comp(R)	pcs	1				
3	1000-118	螺栓M8×40	Bolt M8×40	pcs	4				
4	1000-119	法兰盘密封垫	Flange gasket	pcs	1				

5	1000-120	挡泥副板	Vice-fender	pcs	2				
6	1000-121	法兰盘	Flange	pcs	1				
7	1000-122	泄压螺栓M12×1.25×25	Bolt M12×1.25×25	pcs	1				
8	1000-123	开口销2.6×25	Pin2.6×25	pcs	1				
9	1000-124	右挡泥板	Right Fender	pcs	1				
10	1000-125	螺栓M8×35	Bolt M8×35	pcs	4				
11	1000-126	弹垫8	Spring Washer8	pcs	4				
12	1000-127	法兰盘与变速箱纸垫	Paper gasket gear box	pcs	1				
13	1000-128	变速箱总成	Gear box comp	pcs	1				
14	1000-129	拖挂体	Dragging assy	pcs	1				
15	1000-130	带环插销	Pin with ring	pcs	1				
16	1000-131	销轴8×40	Pin8×40	pcs	1				
17	1000-132	连接架	Connection frame	pcs	1				
18	1000-133	阻力杆	Resistance rod	pcs	1				
19	1000-134	卡簧φ2	Clippφ2	pcs	1				
20	1000-135	螺栓M6×16	Bolt M6×16	pcs	14				
21	1000-136	螺母M6	Nut M6	pcs	14				
22	1000-137	弹垫6	Spring Washer6	pcs	14				
23	1000-138	平垫6	Washer6	pcs	14				
24	1000-139	左挡泥板	Left fender	pcs	1				
25	1000-140	弹垫8	Spring Washer8	pcs	10				
26	1000-141	平垫8	Washer8	pcs	10				
27	1000-142	螺母M8	Nut M8	pcs	10				
28	1000-143	弹垫10	Spring Washer10	pcs	10				
29	1000-144	平垫10	Washer10	pcs	10				
30	1000-145	螺母M10	Nut M10	pcs	10				
31	1000-146	合箱纸垫60.2/60.5	Paper gasket	pcs					
32	1000-147	螺栓M10×30	Bolt M10×30	pcs	3				
33	1000-148	螺栓M10×25	Bolt M10×25	pcs	2				
34	1000-149	行走箱总成	Transmission Case Parts	pcs	1				
35	1000-150	旱地弯刀总成(左)	Dry land blade comp(L)	pcs	1				

37	1000-151	发动机支架	Support frame, engine	pcs	1					
38	1000-152	保险杠总成	Bumper comp	pcs	1					
39	1000-153	保险杠支撑杆拉簧	Spring	pcs	2					
40	1000-154	保险杠支撑杆	Bumper support	pcs	1					
41	1000-155	小摇臂胶套	Rubber grip	pcs	1					
42	1000-156	螺栓M10×50	Bolt M10×50	pcs	1					
44	1000-157	合箱定位销8×14	Pin8×14	pcs	4					