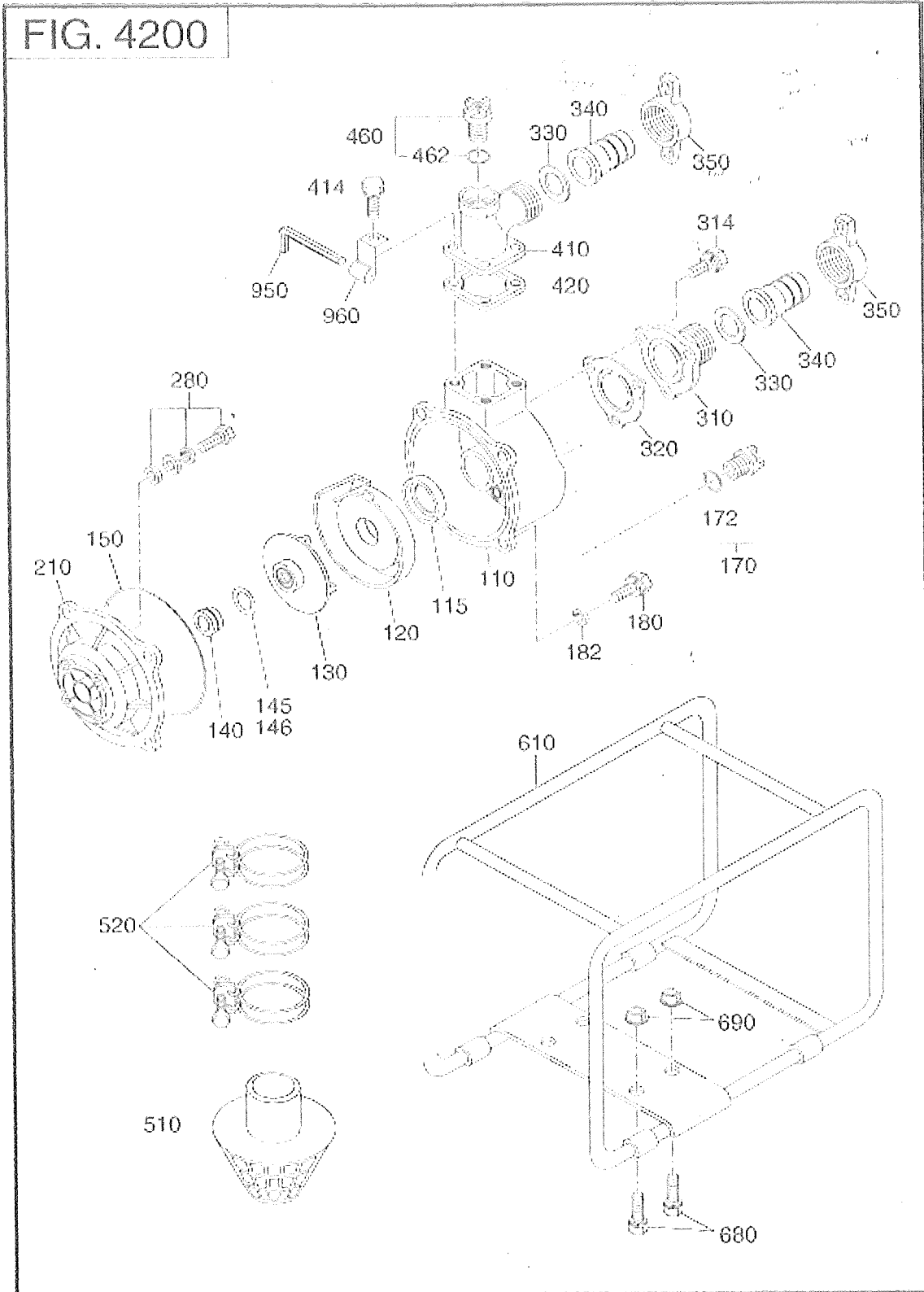


42 PUMP



REF	PART NUMBER	PART NAME	CODE NO.	QTY	REMARKS	INTERCHANGE
110	480-08010-01	CASING	-	1		
115	480-08010-12	PACKING,INNER CASING	-	1		
120	480-08010-11	INNER CASING	-	1		
130	480-08010-09	IMPELLER	-	1		
140	480-05010-10	MECHANICAL SEAL	-	1		
145	480-08010-37	SHIM	-	1	T=0.3	
146	480-08010-38	SHIM	-	1	T=0.6	
150	480-05010-02	O-RING	-	1		
170	480-05010-21	PLUG,DRAIN	-	1		
172	480-05010-22	O-RING	-	1		
180	480-05310-03	HEX BOLT	-	4		
210	480-05010-04	CASING COVER	-	1		
280	480-05010-05	CASING BOLT AY	-	4		
310	480-08010-13	VALVE CASE	-	1		
314	480-08010-14	BOLT & WASHER AY	-	3		
320	480-08010-15	CHECK VALVE	-	1		
330	480-08010-17	PACKING,COUPLING	-	2		
340	481-00001-08	HOSE NIPPLE	-	2		
350	480-08010-16	COUPLING,HANDLE	-	2		
410	480-08010-19	BEND	-	1		
414	481-00001-70	HEX BOLT	-	4		
420	480-08010-20	PACKING BEND	-	1		
460	480-05010-21	PLUG,DRAIN	-	1		
462	480-05010-22	O-RING	-	1		
510	480-08050-29	STRAINER (ABS)	-	1		
520	480-08010-28	HOSE BAND	-	3		
610	481-00001-51	FRAME	-	1		
680	480-05010-23	HEX BOLT	-	4		
690	480-05010-24	FLANGE NUT	-	4		