

Robin Pump

Model **PTV101**

PARTS CATALOG

Spec. No. PTV10100000
Spec. No. EH025PX0201

VERA NGK EMRGA

富士重工業株式会社
FUJI HEAVY INDUSTRIES LTD.

ISSUE EMD-PP6241

ISSUE DATE 2005.8

Table of abbreviations/略語一覽

ABBREVIATIONS/略語	DESCRIPTION	説明
A	AMPERE	アンペア
AC	AIR CLEANER	エアクリーナ
AY	ASSEMBLY	アッセンブリ
B	BREADTH	幅
BB	BALL BEARING	ボールベアリング
CD	CENTER DISTANCE	中心間距離
CP	COMPLETE	コンプリート
D	DIAMETER	内径、外径、中心径
EX	EXPORT	輸出
EX	EXHAUST	排気
FIG	FIGURE	フィギュア(図解)
FR	FRONT	前側
H	HEIGHT	高さ
HZ	HERTZ	ヘルツ
IN	INCH	インチ
IN	INTAKE	吸入
L	LITER	リットル
L	LENGTH	長さ
LH	LEFT HAND	左側
MG	MAGNETIC	マグネチック
N	NUMBER	数、巻数
N R Y	NEW ROBIN YELLOW	新ロビン色
OS	OIL SENSOR	オイルセンサ
O.S.	OVER SIZE	オーバーサイズ
P	PITCH	ピッチ
PD	PITCH DIAMETER	中心径
PTO	POWER TAKE OFF	動力取出し
REF	REFERENCE	レファレンス(照合)
RH	RIGHT HAND	右側
RR	REAR	後側
ST	STARTER	スタータ
STD	STANDARD	標準
SW	SPRING WASHER	スプリングワッシャ
SW	SWITCH	スイッチ
T	THICKNESS	厚さ
TH	THROTTLE	スロットル
UN	UNIT	ユニット
U.S.	UNDER SIZE	アンダーサイズ
V	VOLTAGE	ボルト
W	WASHER	ワッシャ
W	WATT	ワット
W	WIDTH	幅
W/	WITH	付き
W/O	WITHOUT	無し

CONTENTS

ENGINE PARTS

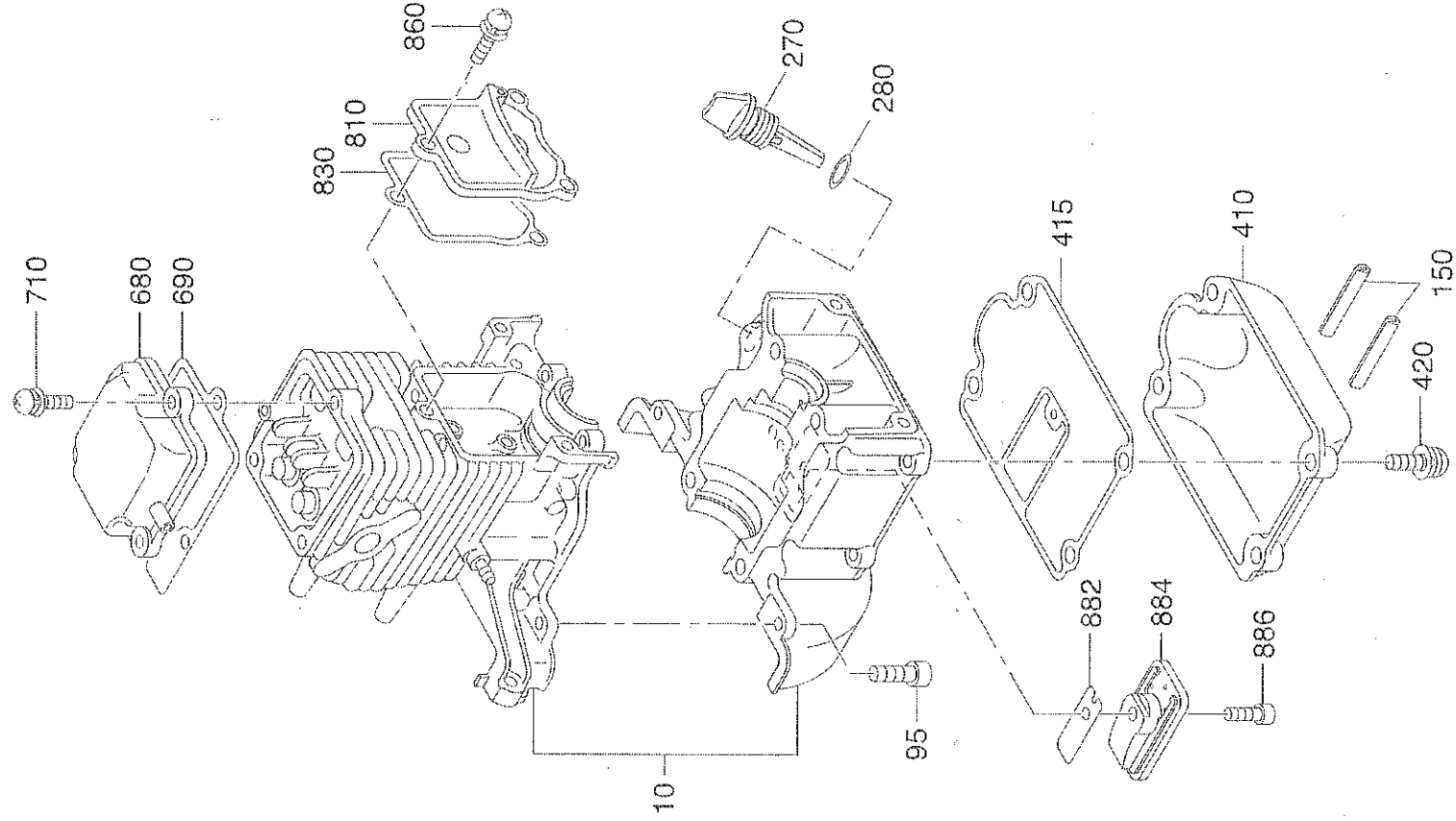
	FIG.
1 CRANKCASE	100
2 CRANKSHAFT, PISTON	200
3 INTAKE, EXHAUST	300
4 GOVERNOR, OPERATION	400
5 COOLING, STARTING	500,520
6 FUEL LUBRICANT	600,642
7 ELECTRIC DEVICE	700
9 ACCESSORIES, LABEL	900

PUMP PARTS

42 PUMP

4200

FIG. 100



1 CRANKCASE

REF.	PART NUMBER	PART NAME	QTY	R E M A R K S	CODE NO.	INTERCHANGE P/NO.	UNIT P	FIG.
10	592-10090-02-1	CYLINDER BLOCK SET	1		-			100
95	011-90595-10	SOCKET HEAD BOLT	8		-			100
150	592-65009-00-1	GUARD, CASE OIL	2		-			100
270	592-65006-00	OIL GAUGE	1		-			100
280	021-31699-90	GASKET	1		-			100
410	592-65000-00-2	CASE, OIL	1		-			100
415	592-65001-00	GASKET, CASE	1		-			100
420	004-36051-80	SCREW AY	4		-			100
680	592-10040-01	ROCKER COVER CP	1		-			100
690	592-15008-00	GASKET, ROCKER COVER	1		-			100
710	004-36051-60	SCREW AND WASHER AY	3		-			100
810	592-15005-02-1	COVER, CAMGEAR	1		-			100
830	592-15007-00	GASKET, COVER CAMGEAR	1		-			100
860	004-36051-40	SCREW AND WASHER AY	3		-			100
882	592-15010-00	LEAD VALVE	1		-			100
884	592-15011-00	RETAINER PLATE	1		-			100
886	011-90499-80	SOCKET HEAD BOLT	1		-			100

EH025PX0201 PUMP

FIG. 200

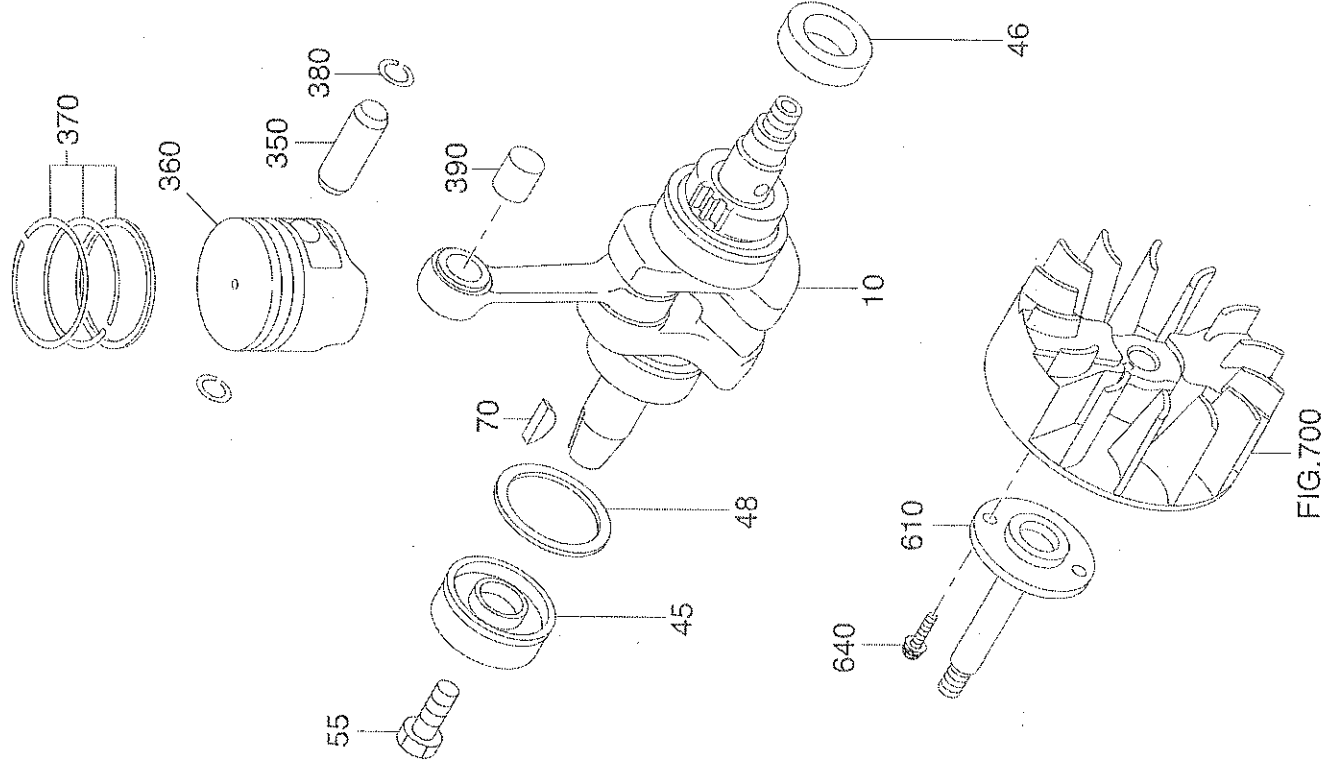
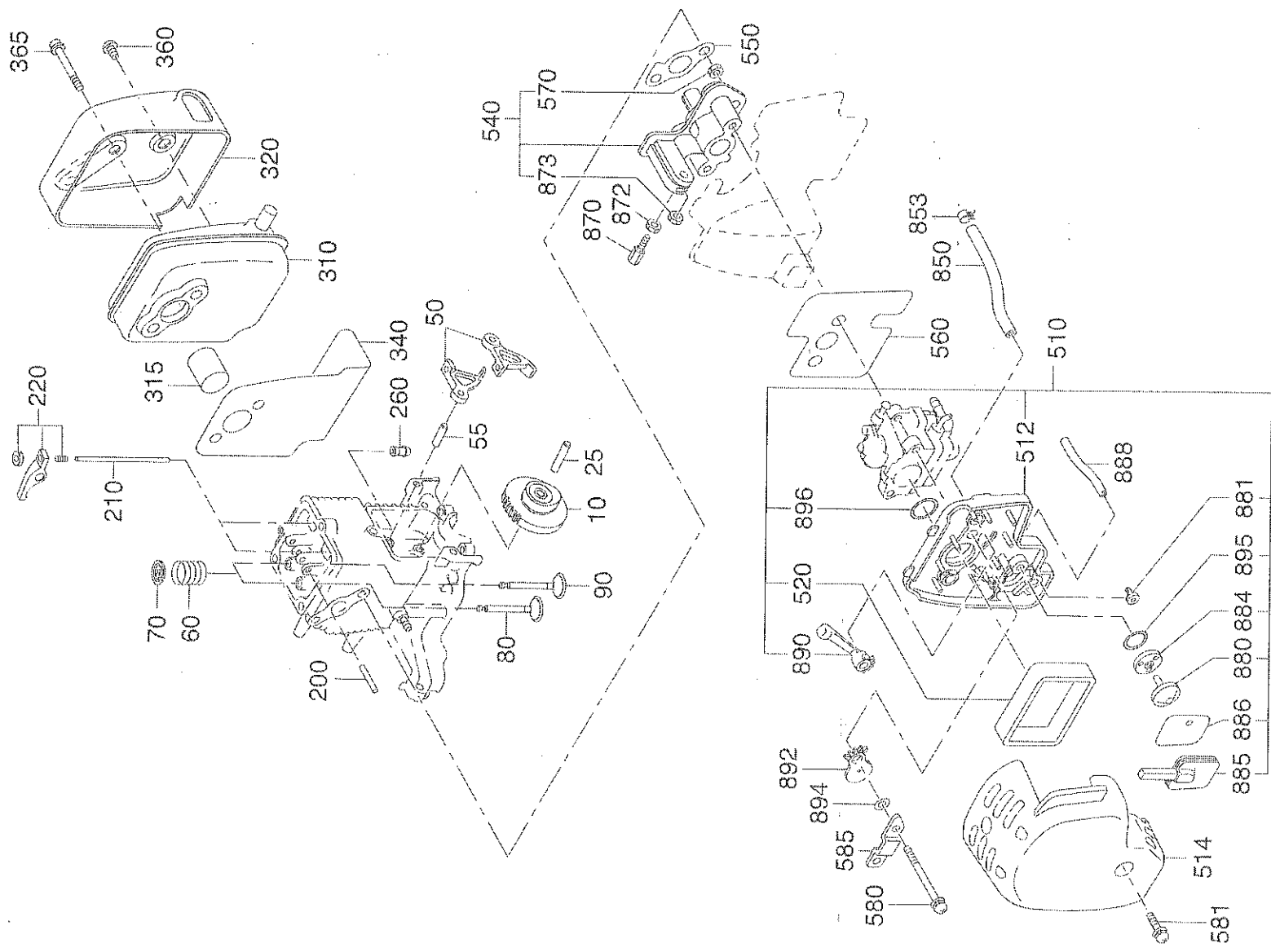


FIG. 300



3 INTAKE EXHAUST

REF.	PART NUMBER	PART NAME	QTY	R E M A R K S	CODE NO.	INTERCHANGE P/NO.	UNIT P	FIG.
10	592-30030-00-2	CAMGEAR AY	1		-			300
25	592-35005-01	SHAFT, CAMGEAR	1		-			300
50	592-35000-01-1	CAM LIFTER	2		-			300
55	592-35006-00	SHAFT, CAM LIFTER	1		-			300
60	592-35012-00	VALVE SPRING	2		-			300
70	592-35013-00	RETAINER, SPRING	2		-			300
80	592-35015-00	INTAKE VALVE	1		-			300
90	592-35014-00	EXHAUST VALVE	1		-			300
200	593-35001-00	ROCKER SHAFT	1		-			300
210	592-35007-00	PUSH ROD	2		-			300
220	593-30020-00-1	ROCKER ARM AY	2		-			300
260	592-15014-00	SPACER	2		-			300
310	592-30010-00	MUFFLER	1		-			300
315	592-30080-10	SPARK ARRESTER	1		-			300
320	592-35034-00	COVER, MUFFLER	1		-			300
340	592-35016-01	GASKET, MUFFLER	1		-			300
360	014-00599-62	SCREW	1		-			300
365	011-90595-20	SOCKET HEAD BOLT	2		-			300
510	592-30040-03-1	PLATE, CLEANER AY	1		-			300
512	592-30060-02	PLATE, AIR CLEANER CP	1		-			300
514	592-35027-00	COVER, AIR CLEANER	1		-			300
520	592-35032-00	ELEMENT	1		-			300
540	592-30050-01-1	INSULATOR CP	1		-			300
550	592-35018-01	GASKET, INSULATOR	1		-			300
560	592-35040-00	GASKET, CARBURETOR	1		-			300
570	002-17050-00	NUT	2		-			300
580	592-35031-00	SCREW	2		-			300
581	014-00594-80	SCREW	1		-			300
585	592-35026-00-1	PLATE	1		-			300
850	592-15009-00	PIPE, BREATHER	1		-			300
853	056-10800-10	HOSE CLAMP	1	7. 8DX6BX0. 6T	-			300
870	014-90699-72	ADJUST SCREW	1		-			300
872	002-27060-00	NUT	1		-			300
873	002-27060-00	NUT	1		-			300
880	531-65007-01	CHECK VALVE	1		-			300
881	592-35024-00	CHECK VALVE (1)	1		-			300
884	592-35025-00	PLATE, CHECK VALVE	1		-			300
885	593-35016-00	PLATE, SEPARATOR	1		-			300
886	592-35035-00	GASKET, SEPARATOR	1		-			300
888	592-35030-01	PIPE	1		-			300

EH02SPX0201

PUMP

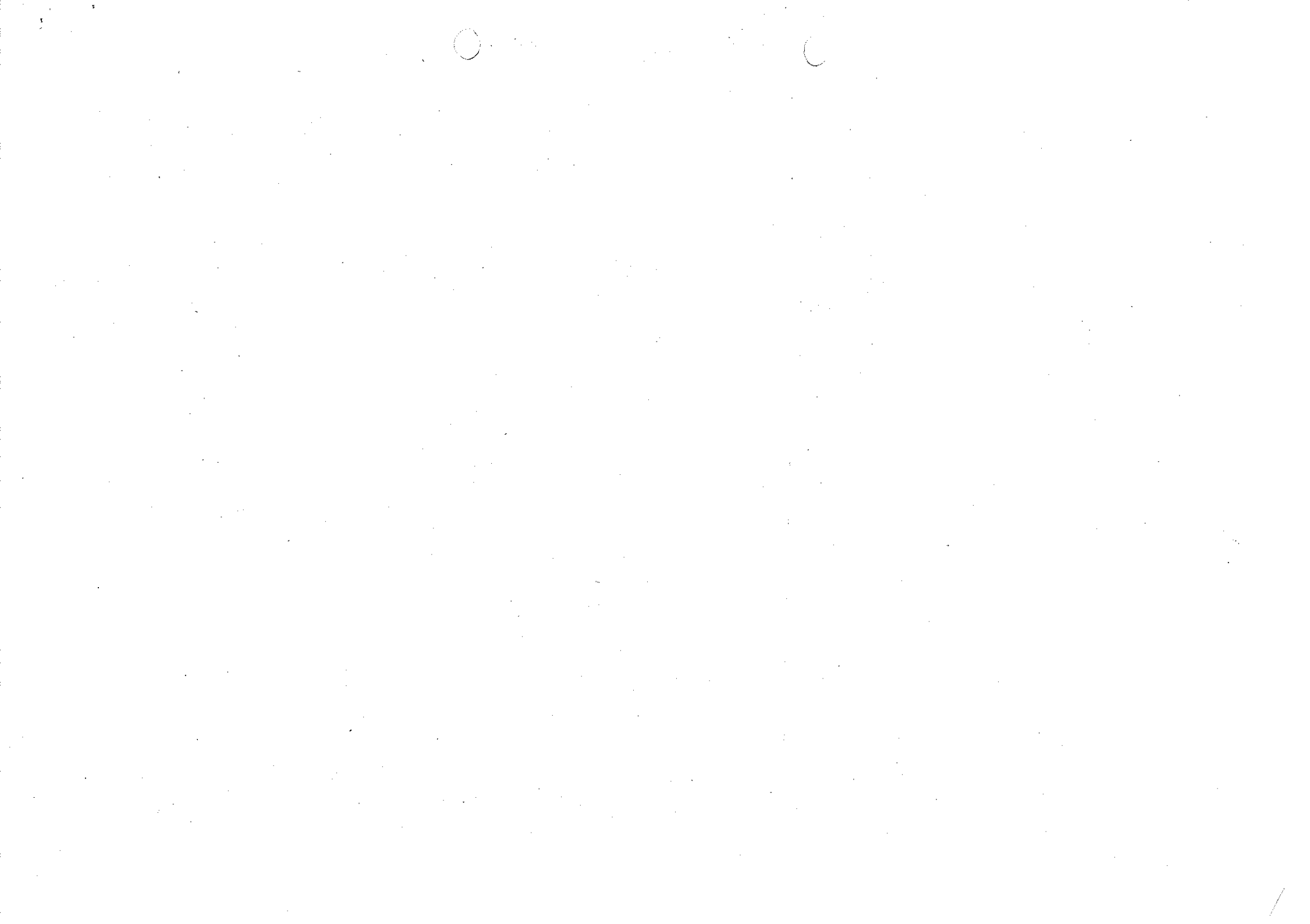


FIG. 400

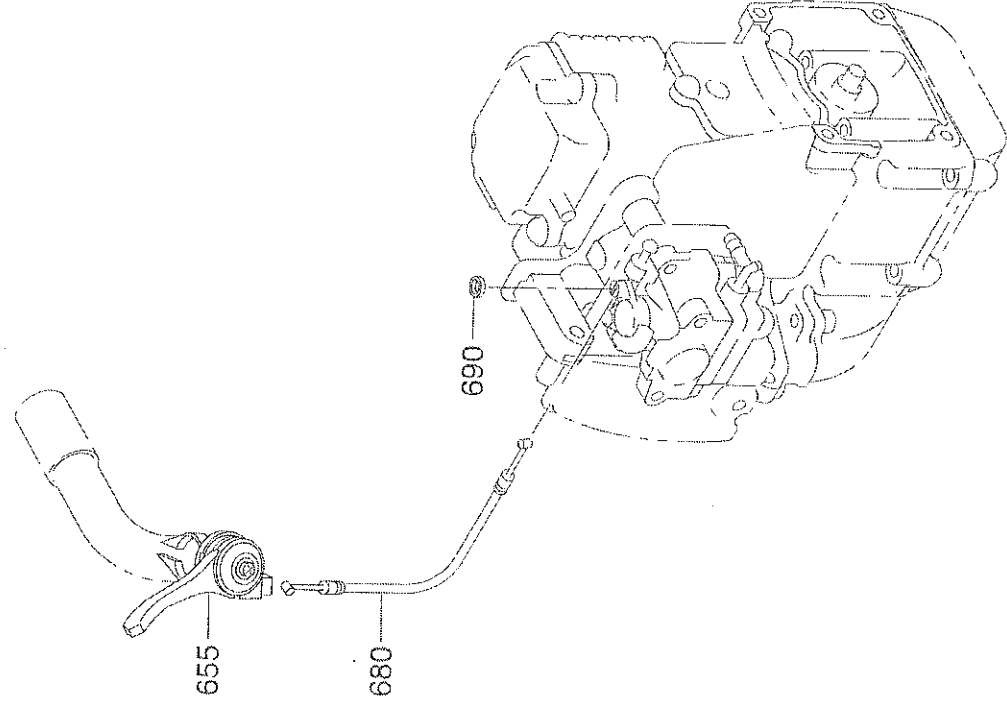


FIG. 500

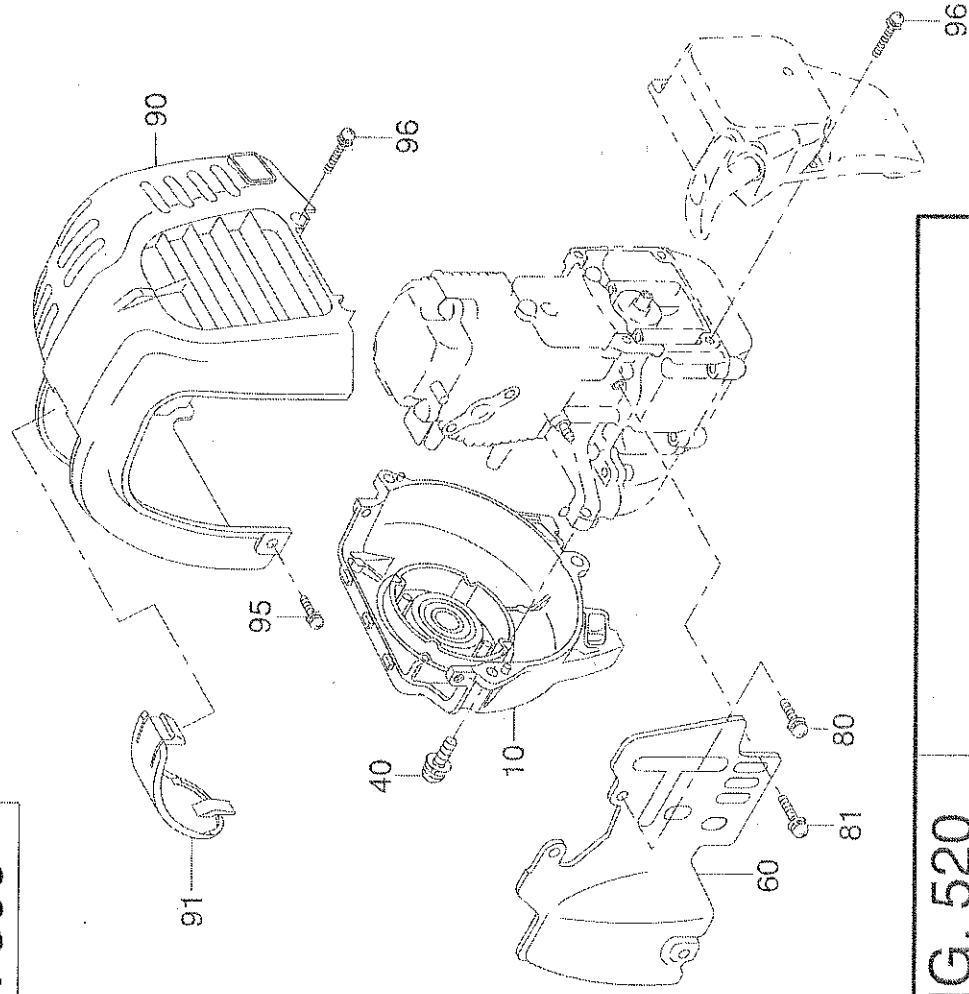
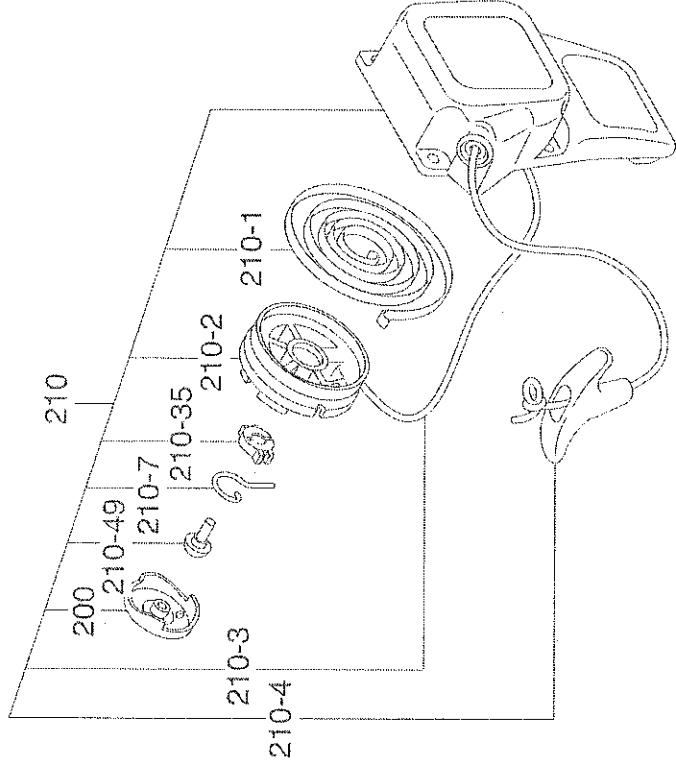
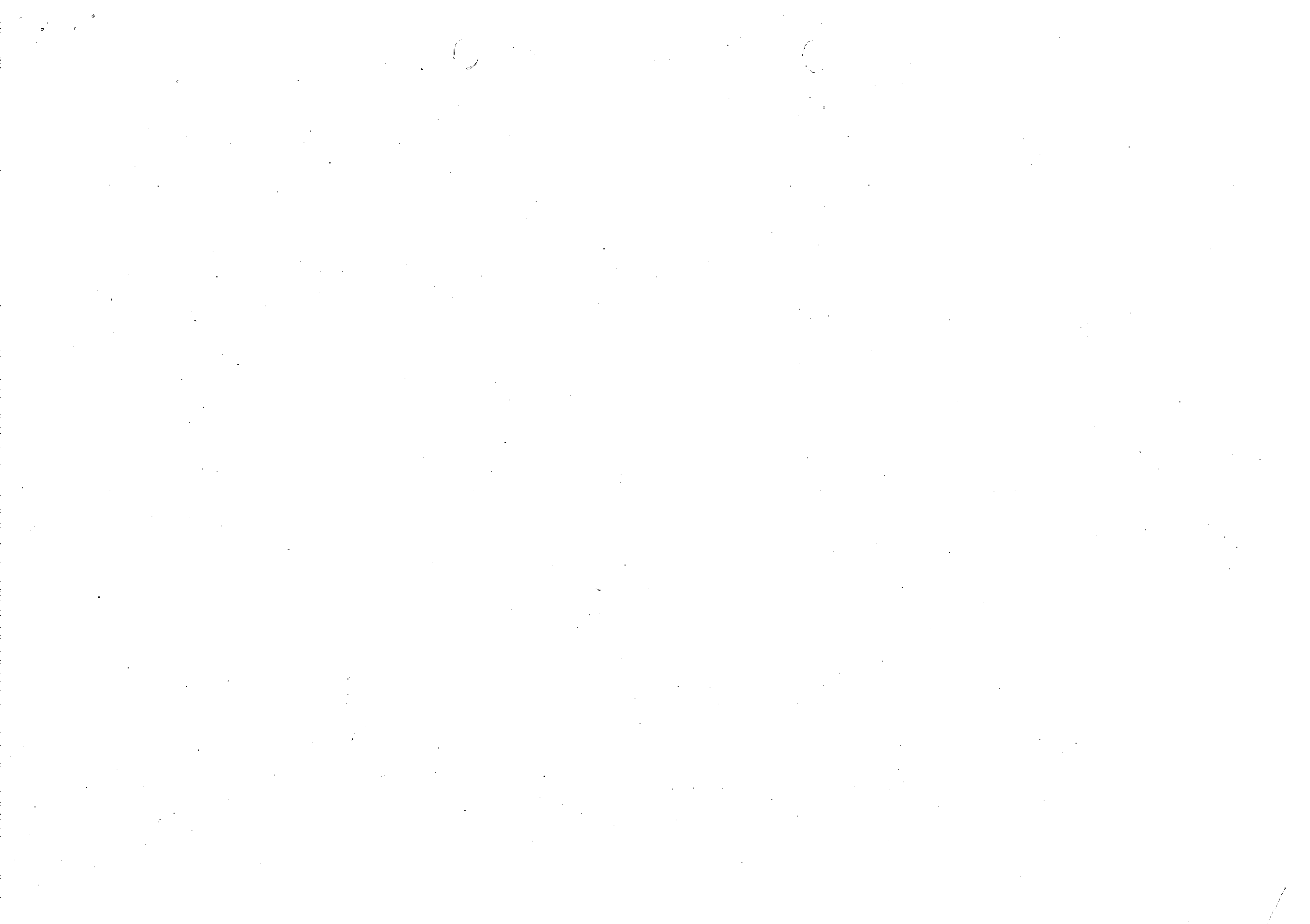


FIG. 520





5 COOLING, STARTING

REF.	PART NUMBER	PART NAME	QTY	R E M A R K S	CODE NO.	INTERCHANGE P/NO.	UNIT P	FIG.
200	519-55000-00	PULLEY	1		-			520
210	592-50010-02	RECOIL STARTER AY	1	RECOIL+PULLY	-			520
- 1	521-50020-30	SPIRAL SPRING	1		-			520
- 2	592-50010-30	REEL	1		-			520
- 3	592-50010-50	STARTER ROPE	1		-			520
- 4	522-50040-20	STARTER KNOB	1		-			520
- 7	519-50021-00	SWING ARM	1		-			520
- 35	519-50021-10	COLLAR	1		-			520
- 49	519-50020-60	SET SCREW	1		-			520

FIG. 600

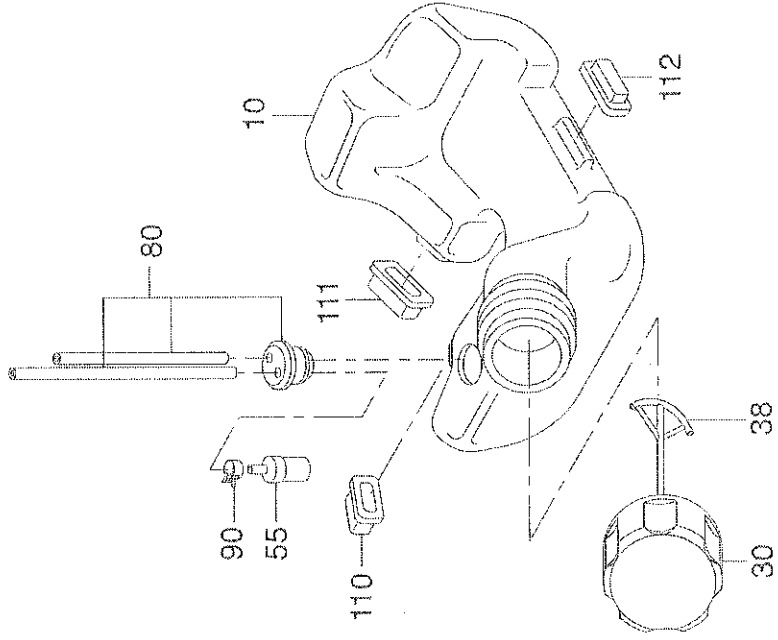
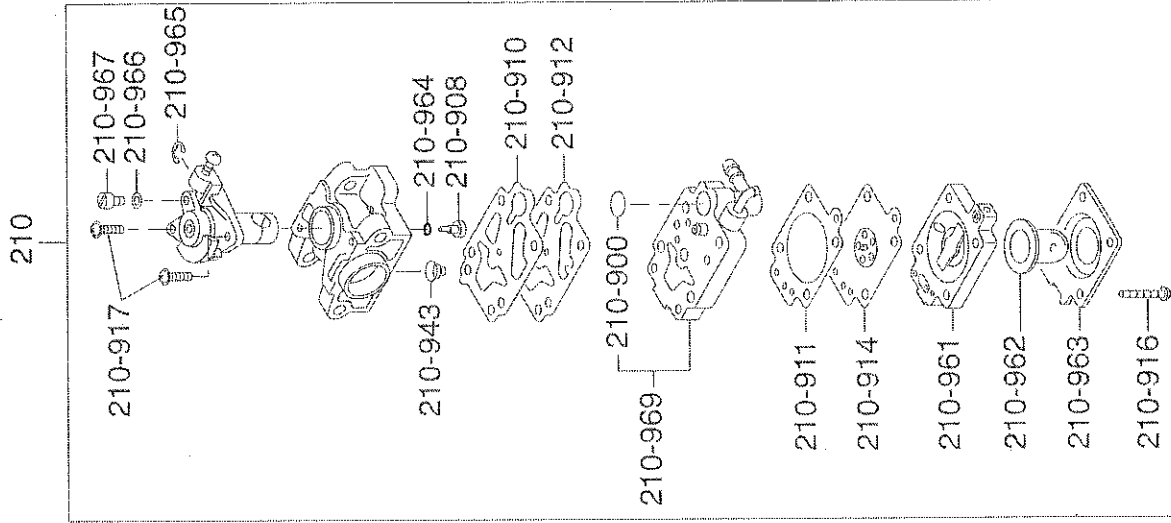


FIG. 642





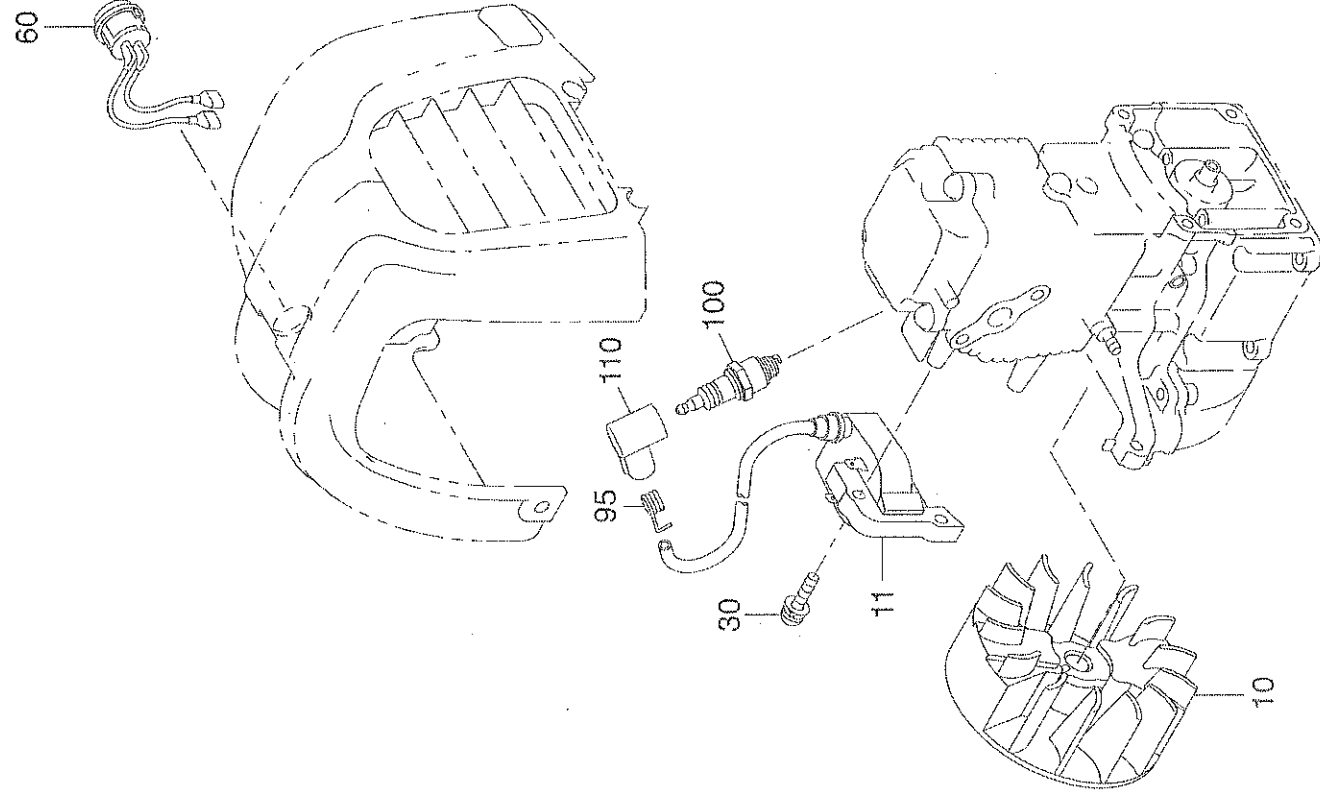
6 FUEL LUBRICANT

REF.	PART NUMBER	PART NAME	QTY	R E M A R K S	CODE NO.	INTERCHANGE P/NO.	UNIT P	FIG.
210	592-60110-00-2	CARBURETOR AY	1		-			642
-900	501-60040-10	SCREEN	1		-			642
-908	592-60021-20	JET	1		-			642
-910	592-60020-40	GASKET-PUMP	1		-			642
-911	523-60460-40	GASKET	1		-			642
-912	524-60010-40	DIAPHRAGM	1		-			642
-914	592-60080-10	DIAPHRAGM AY-METER.	1		-			642
-916	523-60460-10	SCREW	4		-			642
-917	520-60080-30	SCREW	2		-			642
-943	592-60020-20	SPRING-PUMP	1		-			642
-961	523-60461-40	BODY AY-AIR PURGE	1		-			642
-962	524-60011-50	PUMP	1		-			642
-963	523-60460-50	COVER, PRIMER PUMP	1		-			642
-964	524-60010-10	O-RING	1		-			642
-965	531-60051-20	RING	1		-			642
-966	542-60050-30	WASHER	1		-			642
-967	523-60180-40	SWIVEL	1		-			642
-969	592-60021-40	BODY AY-PUMP	1		-			642

EH02SPX0201

PUMP

FIG. 700



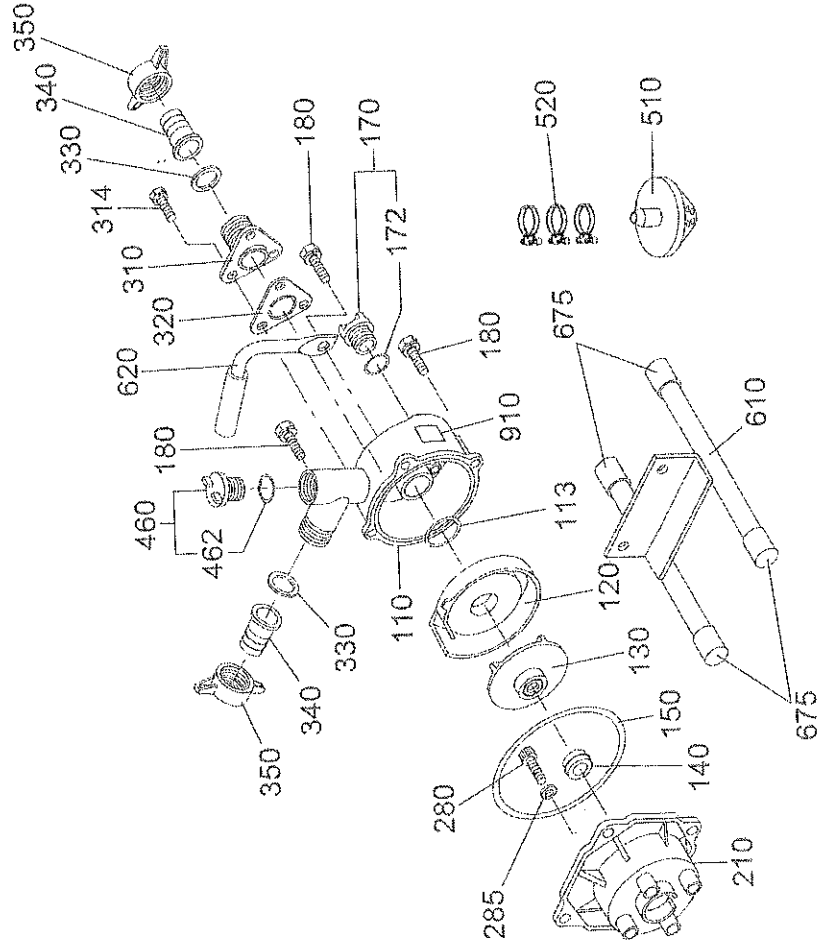
7 ELECTRIC DEVICE

REF.	PART NUMBER	PART NAME	QTY	REMARKS	CODE NO.	INTERCHANGE P/NO.	UNIT P	FIG.
10	592-75002-00-1	FLYWHEEL	1		--			700
11	592-70120-10	IGNITION COIL	1		-			700
30	004-37042-00	SCREW	2		-			700
60	592-70020-00-1	STOP SWITCH AY	1		-			700
95	065-40099-31	SPRING, PLUG CAP	1		-			700
100	065-01099-50	PLUG, SPARK	1	NGK B18R6A CMR6A	-			700
110	592-75001-00	CAP, PLUG	1		-			700

EH025PX0Z01

PUMP

FIG. 4200



42 PUMP

REF.	PART NUMBER	PART NAME	QTY	R E M A R K S	CODE NO.	INTERCHANGE P/NO.	UNIT P	FIG.
110	481-10000-06	CASING	1		-			4200
113	481-10000-05	O-RING	1		-			4200
120	481-10000-04	INNER CASING	1		-			4200
130	481-10000-03	IMPELLER	1		-			4200
140	480-02510-10	MECHANICAL SEAL	1		-			4200
150	481-10000-02	O-RING	1		-			4200
170	480-05010-21	PLUG, DRAIN	1		-			4200
172	480-05010-22	O-RING	1		-			4200
180	481-00001-86	HEX. BOLT	4		-			4200
210	481-10000-01	CASING COVER	1		-			4200
280	480-02510-05	HEX. BOLT	4		-			4200
285	480-02510-08	WASHER	4		-			4200
310	481-10000-09	VALVE CASE	1		-			4200
314	481-00001-87	HEX. BOLT	3		-			4200
320	481-10000-08	CHECK VALVE	1		-			4200
330	480-02510-17	PACKING, COUPLING	2		-			4200
340	480-02510-18	HOSE COUPLING	2		-			4200
350	480-02510-16	COUPLING HANDLE	2		-			4200
460	481-10000-10	PLUG AY	1		-			4200
462	481-10000-05	O-RING	1		-			4200
510	480-02550-29	STRAINER	1		-			4200
520	480-02510-28	HOSE BAND	3		-			4200
610	481-10000-11	PIPE BASE	1		-			4200
620	481-10000-07	CARRING HANDLE	1		-			4200
675	480-02530-31	RUBBER	4		-			4200
910	483-00001-13	LABEL (PUMP NAME)	1		-			4200

PTV10100000

1-t/24. CE

